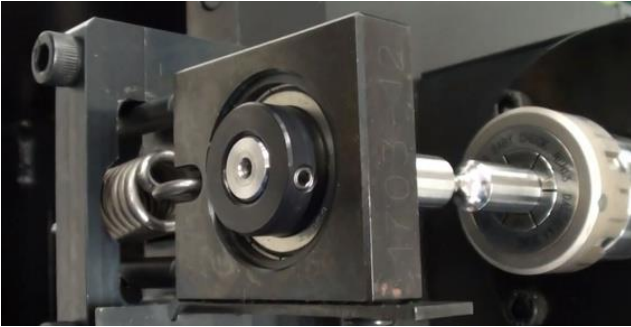


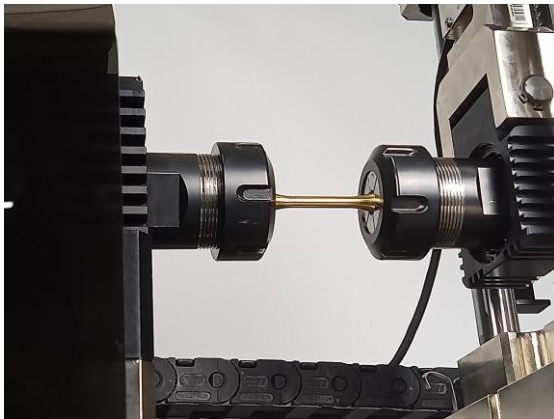
Raagen Rotating Bending Fatigue Test Machines are intended to determine the fatigue strength (according to DIN 50113, ASTM F1160, EN 13261 and ISO 1143 also other standards are available upon request) in rotational bending fatigue tests of metallic or non-metallic materials.

RBF-001 Rotating Bending Fatigue Test Machine (Single Point)



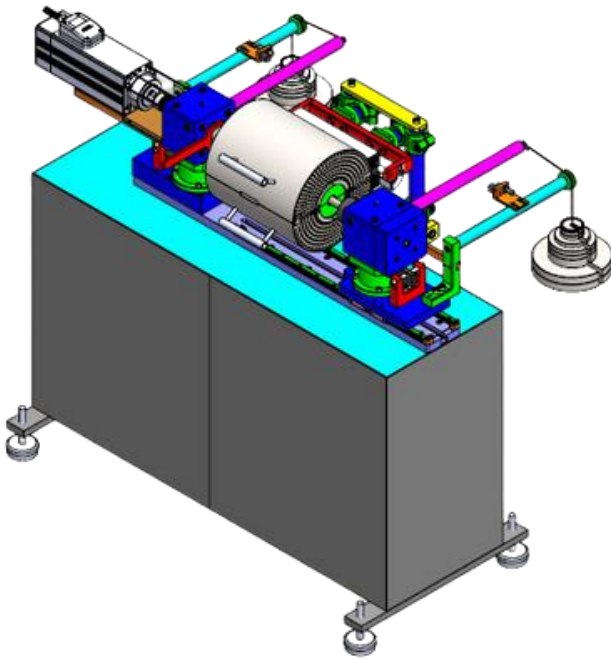
- Rotating Speed: 2800 rpm
- Maximum Bending Moment: 50 Nm
- Delivered with 1 set of dead weights (1 x 100N, 1 x 50 N, 2 x 20 N, 1 x 10 N)
- Automatic break detection system
- The number of cycles is displayed with a digital counter
- Optional environmental corrosion chamber upon request
- Models with 2, 4 and 6 stations can be produced upon request
- * Economic model with dead weights

RBF-002 Fully Automatic Rotating Bending Fatigue Test Machine (Single Point)



- Maximum Rotating Speed: 3000 rpm (50 Hz)
- Maximum Bending Moment: 50 Nm
- Maximum Load: 500 N
- Chuck Grips: Available grip sizes from Ø 2 to Ø 20 mm
- Automatic break detection system
- The system includes XRAA testing software.
- The system has two high-precision servo motors for loading and rotating systems.
- Optional environmental corrosion chamber upon request

RBF-003 Rotating Bending Fatigue Test Machine (Four Point)



- Motor Speed: 3000 or 10.000 rpm (depending on configuration)
- Maximum Bending Moment: 100 Nm
- Loading is done by dead weights. The system is delivered with 2 sets of dead weights.
1 set : (1x 1 N; 2x 2 N; 1x 5 N; 2x 10 N; 1x 20 N; 1x 50 N)
- Chuck Grips: Available grip sizes from \varnothing 2 to \varnothing 20 mm
- Automatic break detection system
- The system includes XRAA testing software.

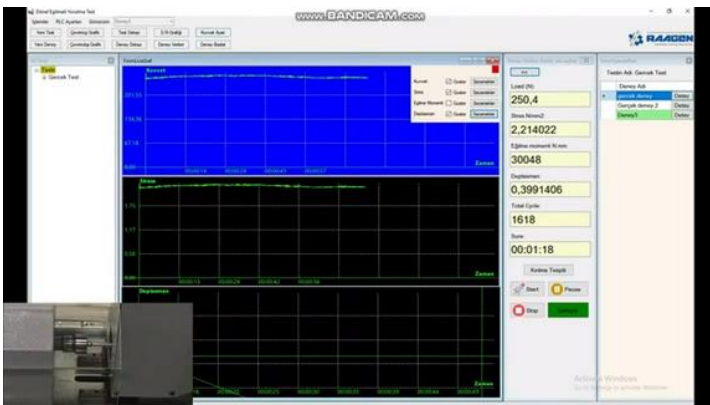
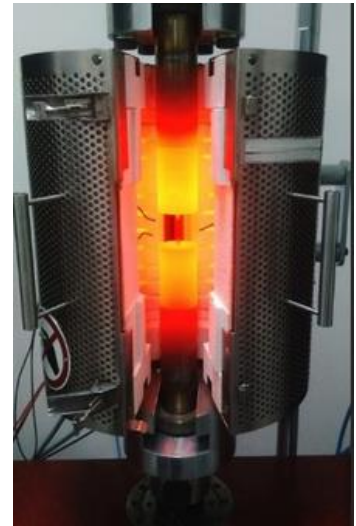
Optionals for RBF-003

- High-Temperature Furnace: 300 °C (HTF-1-300)
- High-Temperature Furnace: 600 °C (HTF-1-600)
- High-Temperature Furnace 900 °C (HTF-1-900)

Raagen High Temperature Furnace

Raagen High-Temperature Test Furnace can be added to the RBF-003 Rotational Bending Fatigue Testing Machine to perform testing at elevated temperatures.

- HTF-1-300 High Temperature Furnace 100x200(DxH) Single Zone
- HTF-1-600 High Temperature Furnace 100x200(DxH) Single Zone
- HTF-1-900 High Temperature Furnace 100x200(DxH) Single Zone



XRAA Material Testing Software

Stress value, number of rotations and bending strength values can be seen in the software. S-N graph of experimental groups is given by the software.

Check our playlist to see videos of our machines.

<https://www.youtube.com/playlist?list=PLuWlG30-1HHsLLnPPVf-nz4ybMkKhgx>